



Starkstrom

S100 RIGID & S200 RETRACTABLE PENDANTS



Series 100

Ceiling mounted rigid pendant, either as a single square column or rotatable triangular column with the facility to mount accessories.

Series 200

Ceiling mounted retractable pendant as a single square column with 300mm to 400mm electrically driven vertical movement controlled via a remote handswitch.



VIEW ON 'A'

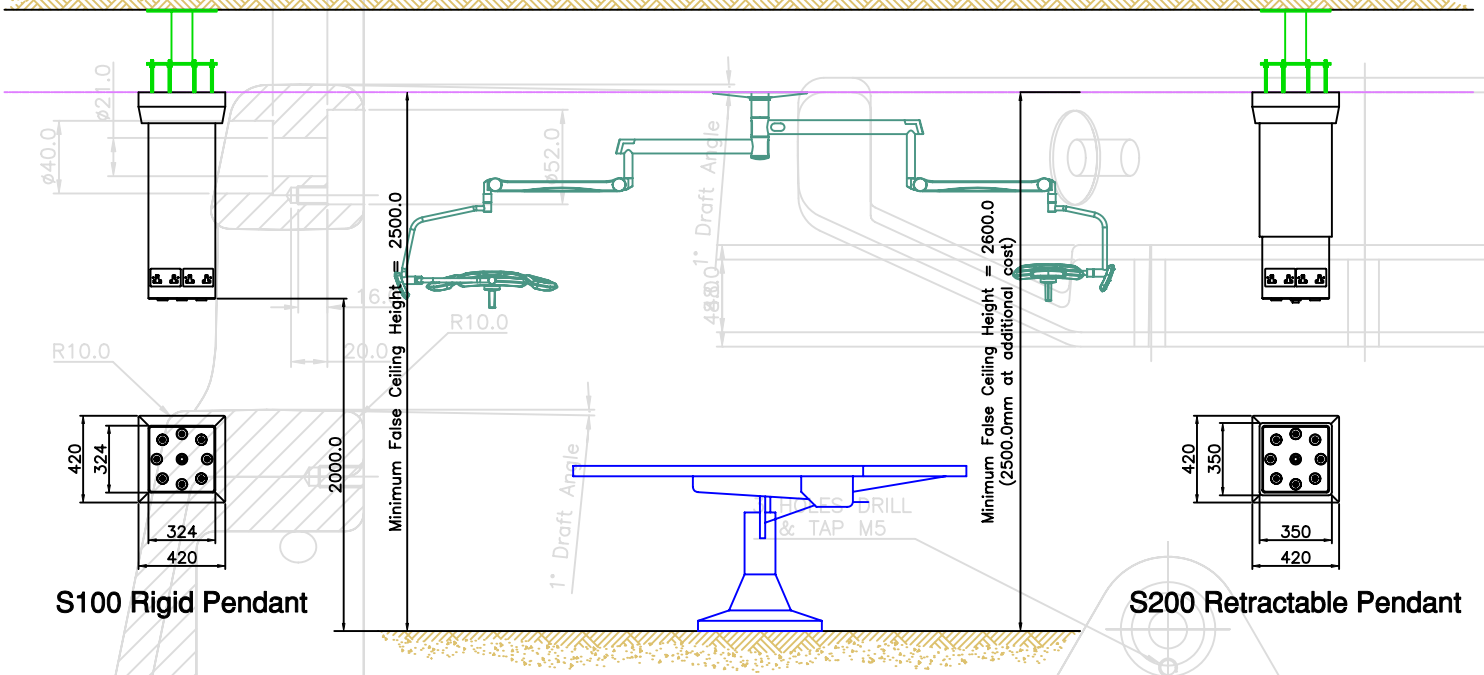
1x HEIGHT CO

- Available in a choice of stainless steel or powder coated finish to suit any theatre/room environment
- Multiple medical gas, electrical and data sockets
- Unique ability to mount 16 socket outlets around the lower edge of the pendant making them more easily accessible
- Fully compliant with HTM02:01 and other relevant standards
- Medical rail and hook attachments can be added to support clinical items
- Minimal loading on ceiling - quick and easy to install
- Extremely high reliability and low maintenance
- Thousands of installations worldwide
- Standard 300mm stroke motor, or 400mm stroke motor available on request to ensure the pendant will retract above head height
- Unique low ceiling retractable versions available on request
- Competitive pricing - PFI proven
- Full installation, commissioning and service available



Starkstrom Ltd, 256 Field End Road, Eastcote, Ruislip, Middlesex, HA4 9UW, United Kingdom
Telephone: +44 (0)208 868 3732 Fax: +44 (0)208 868 3736 Website: www.starkstrom.com / info@starkstrom.com

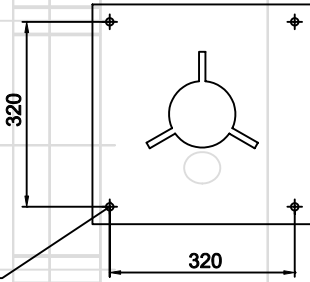
S100 RIGID / S200 RETRACTABLE PENDANT - TECHNICAL DATA SHEET



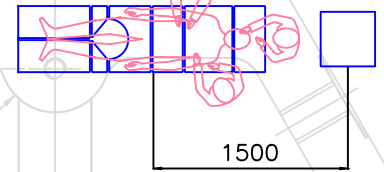
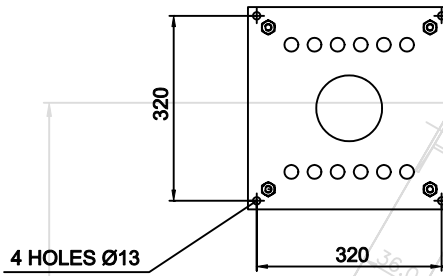
S100 Rigid Pendant

S200 Retractable Pendant

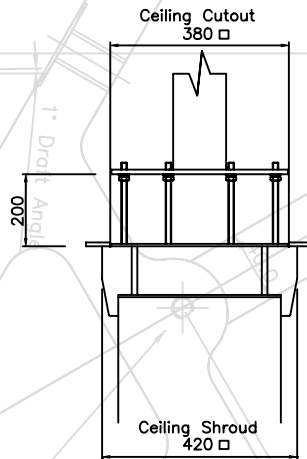
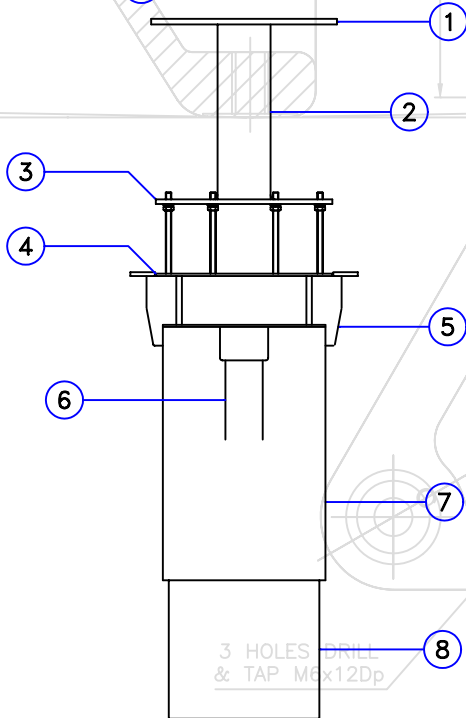
Soffit Plate Drilling



1st Fix Plate



A



| Ref | Description | S100 Rigid | S200 Retractable |
|-----|-----------------------|------------|------------------|
| 1* | Soffit Mounting Plate | ● | ● |
| 2* | Support Tube | ● | ● |
| 3* | Interface Plate | ● | ● |
| 4 | 1st Fix NIST Plate | ● | ● |
| 5 | Ceiling Shroud | ● | ● |
| 6 | Motor | | ● |
| 7 | Outer Body | | ● |
| 8 | Pendant body | ● | ● |

* Supplied by others unless included in quotation

| Loading At 'Position A' | | |
|-------------------------|------|--------|
| Description | Load | Torque |
| S100 Rigid | 590N | 83Nm |
| S200 Retractable | 885N | 124Nm |

| Pendant Capacity | |
|----------------------------|--------------------------|
| Motor Rating | - 240v 50Hz 260W 1.2A |
| Maximum Gas Content | - 8 Gas + 1 AGSS |
| Maximum Electrical Content | - 16 x 13A Socket Outlet |
| Maximum ELV Content | - 8 x Single Gang Outlet |