



Starkstrom

S500 Proteus Critical Care Pendant



Series 500

Pneumatically braked, twin arm, heavy duty, ceiling mounted lateral movement pendant for operating theatres, endoscopy, anaesthesia and critical care areas. Available with a variety of arm/column lengths dependent on procedures and equipment.

The Proven Clinical Benefits:

- Provides all round access to the patient including the head area
- Highly flexible - can be easily and safely repositioned to suit different cases and procedures
- Neatly managed bedspaces reduces visual impact on patient and visitors
- Extended triangular service column allows multiple shelf and accessory mounting
- Upgradeable, modular design accommodates any medical devices - 150kg load capacity per arm
- Multiple medical gas, electrical and data sockets and nurse call outlets at a safe height
- Standard and bespoke accessories available
- Ceiling mounted system keeps floor clear and easy to clean
- Integral cable management

The Health & Safety Benefits:

- Provides a safe and organised environment
- Freedom from hazardous trailing leads and hoses
- Freedom from the hazards associated with trolley mounted devices
- Compliance with HTM02-01 and other relevant standards

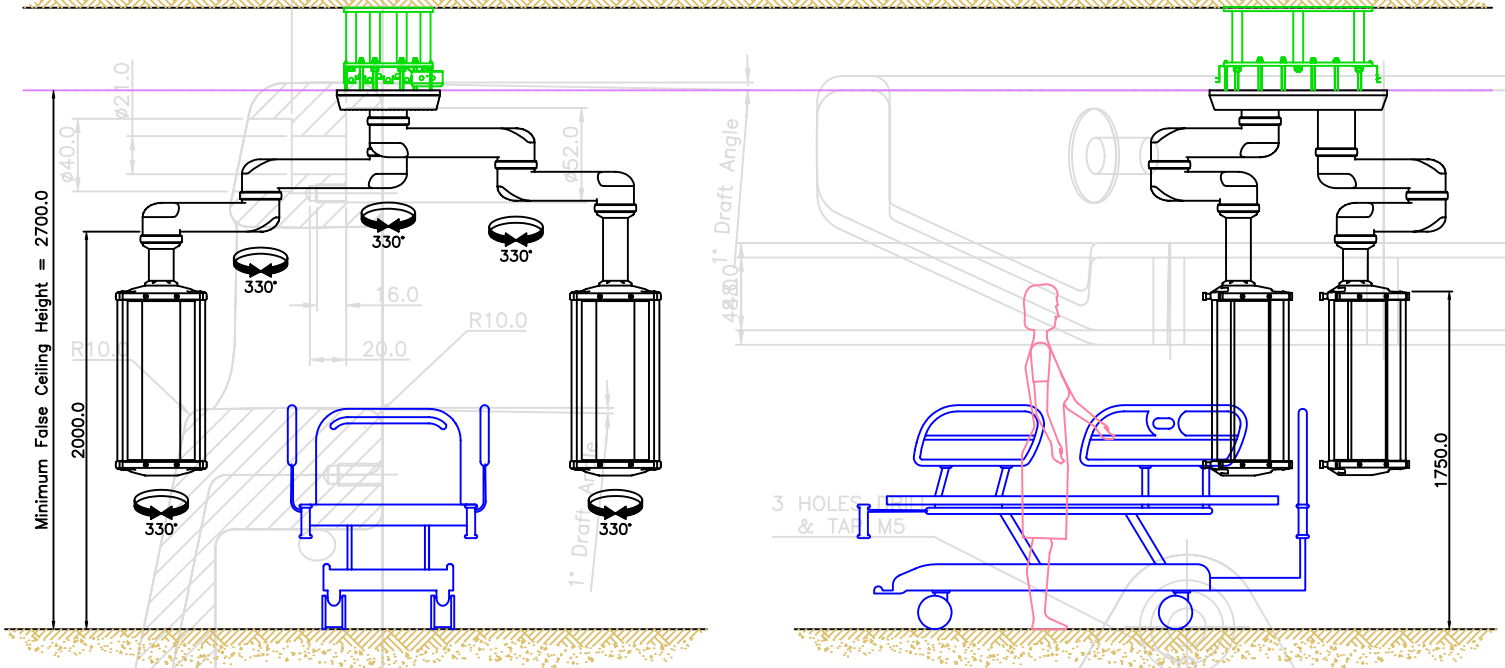
The Commercial Benefits:

- Low maintenance
- Modular design - low life cost
- UK manufactured - competitive pricing - PFI proven
- Full installation, commissioning and service available

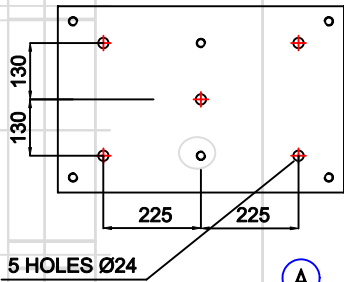


Starkstrom Ltd, 256 Field End Road, Eastcote, Ruislip, Middlesex, HA4 9UW, United Kingdom
Telephone: +44 (0)208 868 3732 Fax: +44 (0)208 868 3736 Website: www.starkstrom.com / info@starkstrom.com

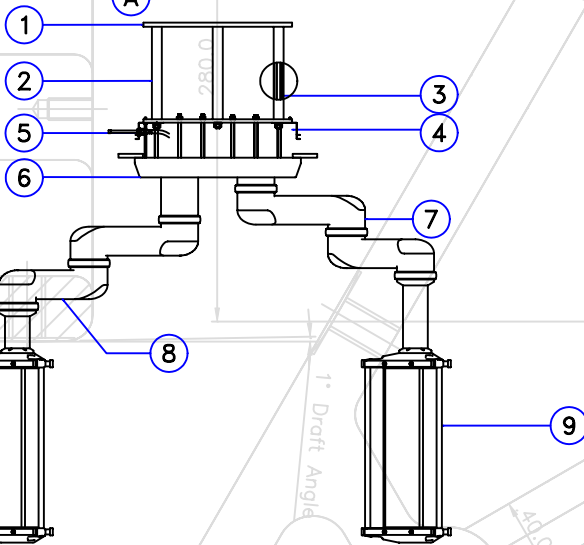
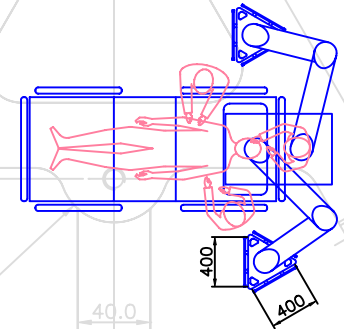
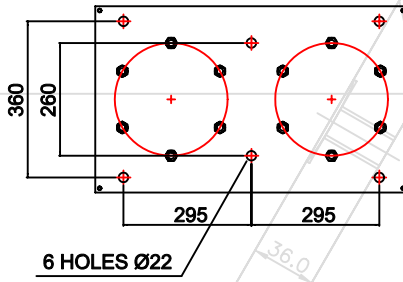
S500 PROTEUS - CRITICAL CARE PENDANT- TECHNICAL DATA SHEET



Soffit Plate Drilling

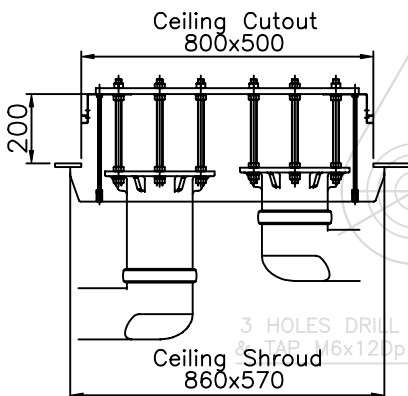


1st Fix Plate



Ref	Description
1*	Soffit Plate
2*	Support Tube
3*	M20 Threaded Rod
4	First Fix Plate
5	NIST Termination Plate
6	Ceiling Shroud
7	Primary Articulated Arm (800 or 600Lg)
8	Secondary Articulated Arm (800 or 600Lg)
9	S500 Pendant Head (2, 4 and 6 Segment)

* Supplied by others unless included in quotation



Description	Load	Torque
S500 Proteus Ref. 864/864	6500N	10100Nm

Pendant Head Capacity (as shown)	
Maximum Carrying Capacity	- 150Kg
Internal Bearing Diameter	- Ø122
Maximum Gas Content	- 12 Gas
Maximum Electrical Content	- 50 x 13A Socket Outlet
Maximum ELV Content	- 18 x Single Gang Outlet