

### Standard configuration

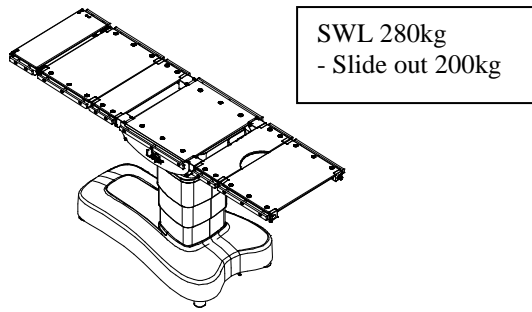


Figure 1

### Reversed configuration

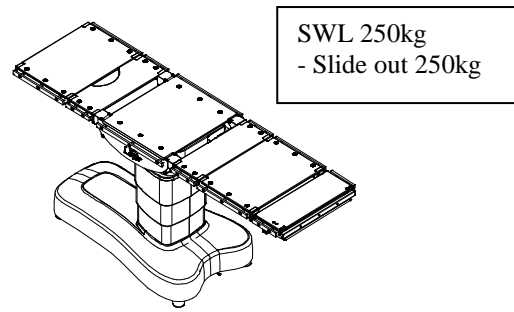


Figure 2

### Special configuration 350 kg

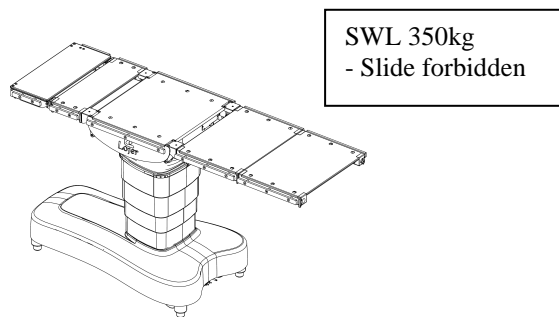


Figure 3

All the loads are measured the table on the floorlocks (locked)

---

### Lithotomy 1 configuration, step 1

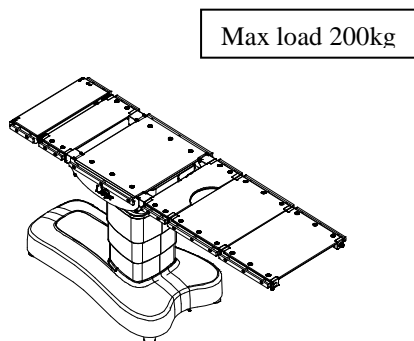


Figure 4

### Lithotomy configuration, step 2

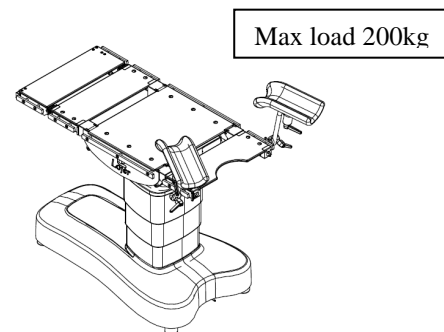


Figure 5

---

### Cardiovascular configuration

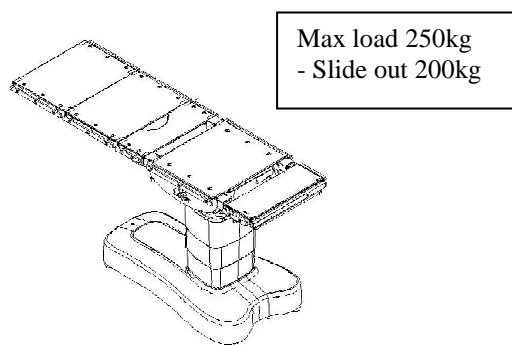


Figure 6