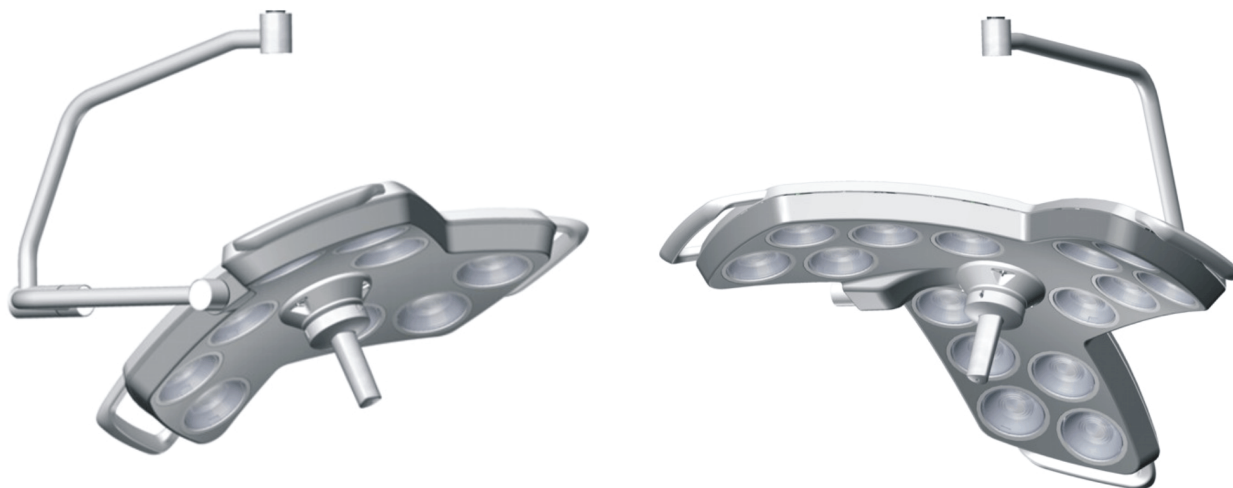


Operating light marLED® E15/E9 Ceiling



Mechanical design

Ceiling-mounting operating light consisting of a ceiling tube, a horizontal tracking arm, a spring arm, a cardan joint and a light head. Depending on on-site conditions (ceiling structure), a ceiling anchor plate or an intermediate ceiling assembly is used for mounting the light. With its wide range of action and full adjustability in height, the suspension arm system offers unrestricted movability. Thanks to the use of low-weight materials and an innovative design, the weights and torques involved could be minimized, thus enhancing operator convenience at the same time. The light head features several handles for safe and secure positioning of the light, with a seamlessly integrated membrane keypad offering easy, non-sterile control of all light functions. To meet all hygiene requirements for fast and reliable disinfection, the light comes with a closed housing with patented joining technology, smooth surfaces and smooth form transitions. Due to the design and structure of the laminar flow-optimized light head, the light can be recommended for use under "laminar-flow" ceiling panels.

Light system

High-performance LEDs of different chromaticity are used as a basis for illumination of the surgical site. The special arrangement of the "light engines" inside the light head ensures shadow-free illumination while providing deep-cavity light at the same time. Computer-calculated optical systems boasting a special microstructure enable the color shadow-free illumination of small or large surgical sites. The process of adjusting the light field diameter involves no moving parts at all and is thus entirely maintenance-free. The LED light consists only of visible light without any infrared content. The large number of altogether 36 or 60 individual LEDs provides failure safety with an extremely long service life of the light sources.

We reserve the right to make alterations

Operation

All operating functions can be controlled via an ergonomic, flush-integrated membrane keypad. Brightness control and light field adjustment are fully electronic, no mechanical components involved. The currently used setting is indicated via an LED segment display on the control panel. High-precision positioning of the light head in any surgical situation is guaranteed by integrated handle elements that are accessible from all sides.

Optional equipment:

- KLS Martin camera system surgiCam® – for highest demands in terms of image quality and resolution. The system can be optionally installed either in the center of the light head or on a separately available video suspension arm.
- Operating function via sterile handle for sterile control of the size of the light field and the ON/OFF function.

We reserve the right to make alterations

Electrical Data		marLED® E15 / E9 Ceiling	
Power module incl. mounting plate, dimensions [L x W x H]	mm	200 x 130 x 105	
Power module, primary voltage	V	100 – 240 VAC, 50 – 60 Hz	
Fuses, 24-V side	A	10	10
Fuses, 230-V side	A	5	5
Power input (primary)	VA	85	55
Voltage at point of wall- or ceiling-mounting	V	24 – 30 VDC	
Effective service life of light sources	h	40.000	
Voltage stabilization (electronic)		yes	yes
Soft-start option (light does not start immediately with full brightness)		yes	yes
Electronic system meets requirements acc. to VDE and IEC		yes	yes
Classification acc. to MPG (Medical Devices Act / MDD)		I	I
Protection class acc. to IEC 601		I	I
Degree of protection: suspension system		IP 30	IP 30
Degree of protection: light head		IP 42	IP 42
Conformity		CE	CE

We reserve the right to make alterations

Photometric Data		marLED® E15 / E9 Ceiling	
Central illuminance, electrically dimmable from/to	%	30 – 100% / 5 % (in Endo mode)	
Central illuminance at a distance of 1 m	lx	160.000	120.000
Light field diameter (d10, distance 1 m)	mm	175 – 260	160 – 230
Light field diameter (d50, distance 1 m)	mm	110	100
Color temperature	K	4.300	4.300
Color rendering index (CRI) [Ra(1-8)]		95	95
Red rendering index [R9]		> 85	> 85
Total irradiance (at 100,000 lx)	W/m ²	469	375
Luminous efficacy	lm/W	320	320
Illumination depth (without refocusing) L1/L2	mm	330 / 450	330 / 500
Working range from/to (without refocusing)	mm	670 / 1.450	670 / 1.500
Shadow dilution with one mask	%	63	46
Shadow dilution with two masks	%	51	44
Shadow dilution with one tube	%	81	99
Shadow dilution with one tube and one mask	%	45	45
Shadow dilution with one tube and two masks	%	37	44
UV irradiance for wavelengths < 400 nm	W/m ²	< 10	< 10

We reserve the right to make alterations

Technical Data Sheet

Operating light
 marLED® E15/E9 Ceiling – 02.2012

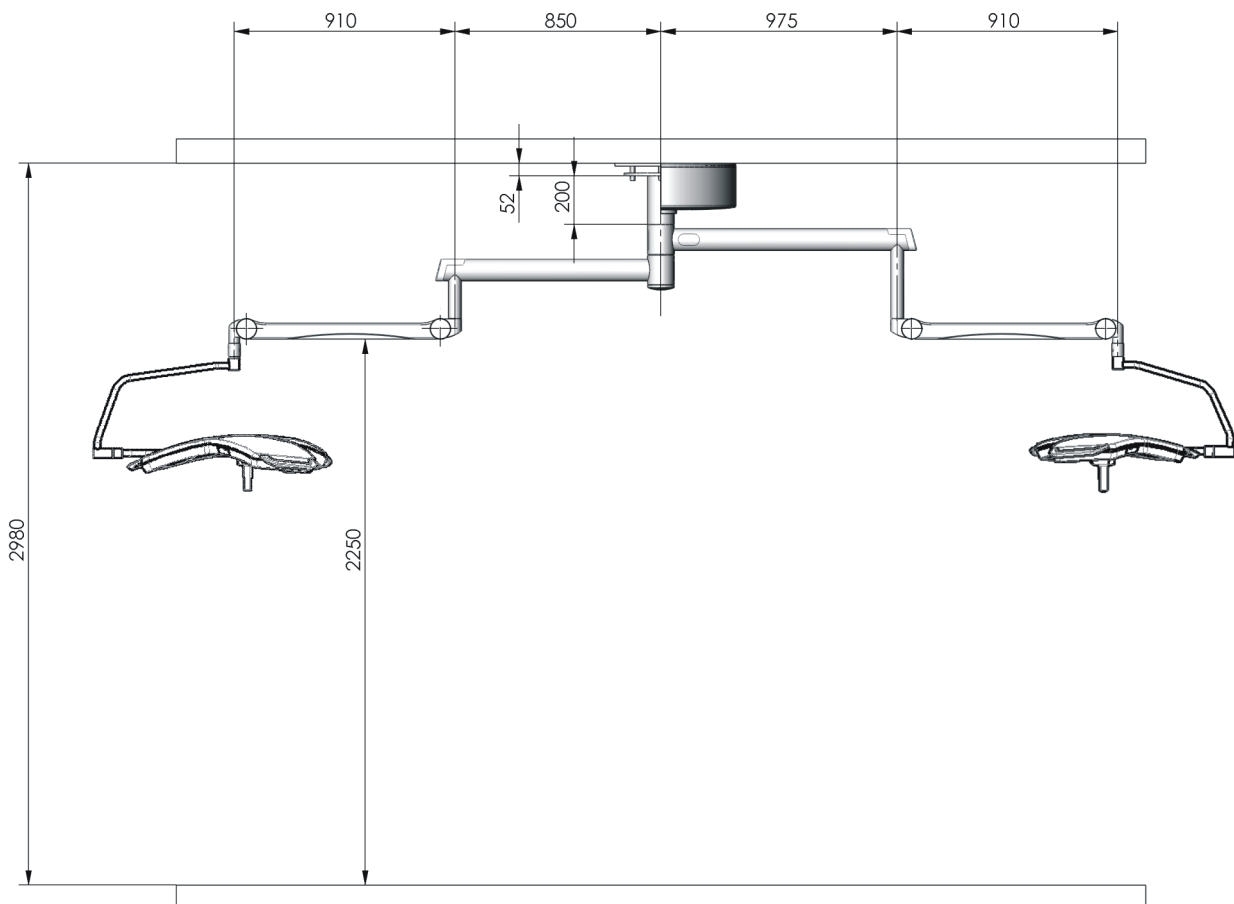
Mechanical Data		marLED® E15 / E9 Ceiling	
Min. room height (power module on ceiling flange 2.25 m)	mm	2.980	
Min. room height (external power module / headroom 2,25 m)	mm	2.840	
Operating forces on light head	N	acc. to. norm	acc. to. norm
Range of movement	mm	1.760	1.760
Spring arm height adjustment (depending on room height)	mm	1.178	1.178
Top position of light head at a headroom of 2.25 m	mm	2.288	2.288
Dimensions: diameter of ceiling anchor plate	mm	380 (square)	
Bottom position of light head at a headroom of 2.25 m	mm	1.110	1.110
Force required for moving light head up/down	N	14	14
Force required for swiveling the light head	N	6	6
Max. vertical force due to weight	N	approx. 450	approx. 450
Total weight	kg	43	39
Single weight (approx.): standard ceiling tube	kg	8	8
Single weight (approx.): tracking arm, central bearing shaft, spring arm	kg	12	12
Single weight (approx.): power module	kg	7	7
Single weight (approx.): light head	kg	16	12
Torque, bending moment	Nm	approx. 320	approx. 290
Permissible ambient temperature range during operation	°C	5° to +40° C	
Storage temperature	°C	-10° to +50° C	
Shock/impact resistance		8g/10ms	
Vibro stability (immunity to vibration)		10 – 150 Hz / 0,15 mm /2g	
Canopy dimensions	mm	620 x 208 (110)	
Light head flow contact area	cm ²	3.946	2.775
Light head height (w/o sterile handle)	mm	70	70
Light head dimensions	mm	907 x 835	685 x 630

Manufacturer: Gebrüder Martin GmbH & Co. KG

Type: marLED® E15/E9 Ceiling

We reserve the right to make alterations

Technical drawing:



We reserve the right to make alterations