

Operating Light marLED® V10 D



Mechanical Design

Ceiling-mounted operating light consisting of ceiling tube, horizontal arm, spring arm, cardanic suspension and light head. Mounting is accomplished by means of either ceiling anchor plate or with intermediate ceiling construction. The suspension system ensures maximum maneuverability, resulting in large action radius and considerable height adjustment. High-tech metals such as aluminum, minimize the total weight and torque, thus operating comfort will be improved. The light head has got several integrated handle bars for precise positioning. The sensoTouch control panel allows the non-sterile operating of all functions. A sealed housing with smooth surface and special design elements ensures fast and secure disinfection. The design and the constructional principle of the whole light head have been optimized for Laminar Flow ceilings.

We reserve the right to make alterations

Light System

Ceiling-mounted operating light consisting of ceiling tube, horizontal arm, spring arm, cardanic suspension and light head. Mounting is accomplished by means of either ceiling anchor plate or with intermediate ceiling construction. The suspension system ensures maximum maneuverability, resulting in large action radius and considerable height adjustment. High-tech metals such as aluminum, minimize the total weight and torque, thus operating comfort will be improved. The light head has got several integrated handle bars for precise positioning. The sensoTouch control panel allows the non-sterile operating of all functions. A sealed housing with smooth surface and special design elements ensures fast and secure disinfection. The design and the constructional principle of the whole light head have been optimized for Laminar Flow ceilings.

Operation

High-performance LEDs of several color types are used to illuminate the operating field. Different individual LEDs are combined in light engines which create both shadow-free illumination and deep-cavity illumination. Computer-calculated optical lens systems allow an even illumination without any color shadows for small or larger surgical sites. LED light includes only visible light without any infrared radiation. The unique VariLux mode grants a variable field distribution, allowing both circular as well as elliptical beams, depending on the demands of the operating field. The color temperature can be adjusted individually. The huge amount of 160 single LEDs assures a high system stability and long service life time.

Additional equipment options

Touch-sensitive KLS Martin pilot laser system for safe positioning of the light field center.
KLS Martin camera system surgiCam® - for the highest demands in terms of image quality and resolution and - optionally - network compatibility for digital data transfer of video, audio and control signals. The system can be installed either directly in the center of the light or via a separately available video suspension arm.

We reserve the right to make alterations

Electrical Data		marLED® V10 D
Power module incl. Mounting plate: dimensions [LxWxH]	mm	260 x 205 x 125
Power module, primary voltage	V	85 / 240 (AC)
Fuses on 24-V side	A	10
Fuses on 230-V side	A	10
Power input at 24 V	W	approx. 75
Voltage at point of wall or ceiling mounting	V	28 – 36 (DC)
Effective lamp life	h	40.000
Voltage stabilization (electronically)		yes
Soft-start option (light does not immediately start with full brightness/light output)		yes
Focusing/light-field memory		yes
Automatic changeover to backup lamp		yes
Light electronics meet VDE and IEC requirements		yes
Classification acc. to MDD / Medical Devices Act		I
Protection class acc. to IEC 601		I
Degree of protection: suspension system		IP 30
Degree of protection: light head		IP 42
Mark of conformity		CE
Battery charging time		no battery operation
Operating time with battery supply	h	no battery operation
Battery capacity	h	no battery operation

We reserve the right to make alterations

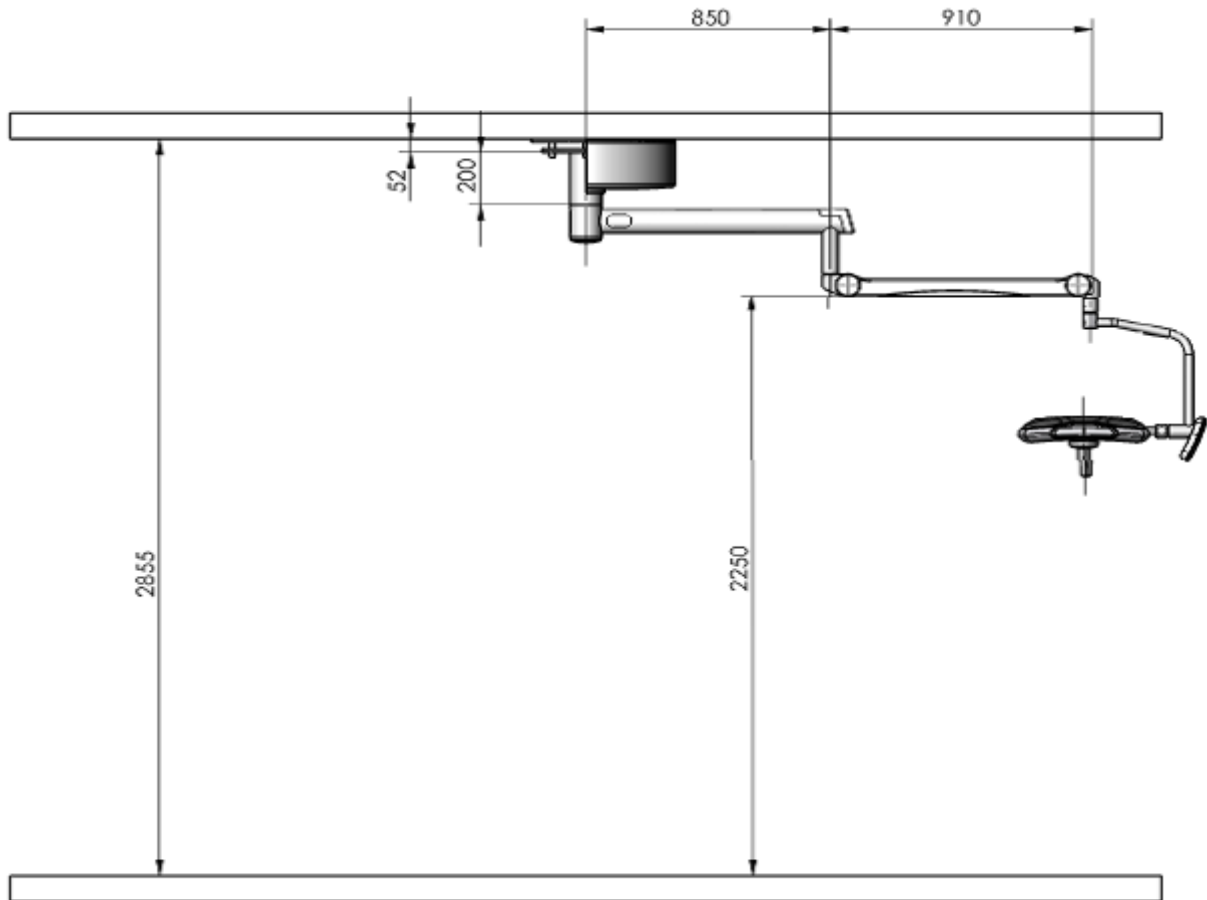
Photometric Data		marLED® V10 D
Central illuminance, electronically dimmable from/to	%	30 – 100 % / 5 % (in Endo-mode)
Central illuminance at a distance of 1 m (via light field adjustment)	lx	130.000
Light field diameter (d10, distance of 1 m)	mm	230 – 330
Light field diameter (d50, distance of 1 m)	mm	120
Color temperature	K	3.800 – 4300 –4800
Color rendering index (CRI) [Ra(1-8)]		95
Red rendering index (RRI) [R9]		> 85
Total irradiance (at 100,000 lx)	W/m ²	364
Total irradiance at 130,000 lux	W/m ²	449
Luminous efficacy	lm/W	289
Illumination depth (20 % on E _C max. without refocusing) L1/L2	mm	490 / 800
Illumination depth (60 % on E _C max. without refocusing) L1/L2	mm	320 / 320
Working range from/to (20 % on E _C max. without refocusing)	mm	510 – 1,800
Working range from/to (60 % on E _C max. without refocusing)	mm	680 – 1,320
Shadow dilution with two masks	%	44
Shadow dilution with one tube	%	99
Shadow dilution with one tube and one mask	%	45
Shadow dilution with one tube and two masks	%	44
Laminar Flow Index acc. to Leeneman		15,7
Laminar Flow Index acc. to Oostlander		16,7
UV irradiance for wavelengths < 400 nm	W/m ²	< 10

We reserve the right to make alterations

Mechanical Data		marLED® V10 D
Min. room height (power module on ceiling flange / headroom of 2.25 m)	mm	2855
Min. room height (external power module / headroom of 2.25 m)	mm	2715
Operating forces on light head	N	acc. to standard
Range of movement	mm	1760
Spring arm height adjustment (acc. to ceiling height)	mm	1178
Top position of light head at a headroom of 2.25 m	mm	2288
Dimensions: diameter of ceiling anchor plate	mm	380 x 380
Bottom position of light head at a headroom of 2.25 m	mm	1110
Force required for moving light head up/down	N	14
Force required for swiveling the light head	N	6
Max. vertical force due to weight	N	approx. 450
Total Weight	kg	39
Single weight (approx.): standard ceiling tube	kg	8
Single weight (approx.): tracking arm, central bearing shaft, spring arm	kg	12
Single weight (approx.): power module	kg	7
Single weight (approx.): light head	kg	12
Torque, bending moment	Nm	approx. 320
Permissible ambient temperature range during operation	°C / °F	5 °C to +40 °C / 41 °F to +104 °F
Storage temperature	°C / °F	-10 °C to +50 °C / 14 °F to +122 °F
Shock/impact resistance		8g / 10 ms
Vibro stability (immunity to vibration)		10 – 150 Hz / 0,15 mm / 2g
Canopy dimensions	mm	620 x 208 (110)
Number of castors	pcs	none
Number of lockable castors	pcs	none
Castor diameter	mm	none
Air flow contact area of light head	cm ²	2535
Light head height (without sterile handle)	mm	53
Light head dimensions	mm	640 x 454

We reserve the right to make alterations

Technical Drawing:



We reserve the right to make alterations