

## marLED® examination lamp E1 mobile

### Mechanical Design



Martin mobile LED examination lamp with flexible extension arm, integrated power supply unit, and mains plug.

Stable and secure base, equipped with smooth anti-static rollers.

The stable carriage on adjustable rollers enables secure and comfortable positioning of the lamp.

The closed lamp body has very good cleaning and disinfection properties

Item no. 89-701-00-04

### Light System

The optimal lighting can be attributed to the highly efficient LED module. The specially developed lens system guarantees cold white light and outstanding lighting characteristics and color rendering.



### Control

The light is switched on and off by an easily accessible rocker switch on the flex-arm joint. The lamp body's smooth surface enables quick and easy cleaning and wiping disinfection. The lamp body can be comfortably positioned by an integrated handle element.

We reserve the right to make alterations

All lighting data are understood to have a tolerance of +/- 5% with regard to measurements and production specifications.

**Technical data sheet**Examination lamp  
marLED® E1 mobile – 2016-03

Electrical data	Unit	marLED® E1 mobile
Power supply module		integrated in the lamp body
Primary connection voltage	V	100 – 240 VAC, 50 – 60 Hz
Total lamp body power consumption	VA	11.2-17.5
Lamp power consumption	W	7
Voltage on wall or ceiling mounting location	V	100 – 240 VAC
Expected lifetime of the lamp	h	50.000
Focus / light field adjustment		Fixed
Spare lamp		from KLS Martin
The electronics meet the requirements according to		IEC 60601-1
Classification acc. to German Medical Devices Act		I
Protection class acc. to IEC 601		II
Degree of protection support arm system		Protection class I
Degree of protection light body		IP20
Conformity		CE
Euro-plug* with C7/C8 coupling included in the scope of supply		Yes
*Country-specific plugs are also available on request.		

We reserve the right to make alterations

All lighting data are understood to have a tolerance of +/- 5% with regard to measurements and production specifications.

Light technical data	Unit	marLED® E1 mobile
Central illuminance at a distance of 0.5 m	lx	50,000
Light field diameter (d10, distance 0.5 m)	mm	180
Light field diameter (d 50, distance 0.5 m)	mm	100
Color temperature:	K	4,400
Color rendering index [Ra (1 – 8)]		>93
Lighting depth (without refocusing) L1 / L2	mm	663
Operating range from - to (without refocusing)	mm	0 - 663
UV radiation strength for wave lengths < 400 nm	W/m <sup>2</sup>	0.05

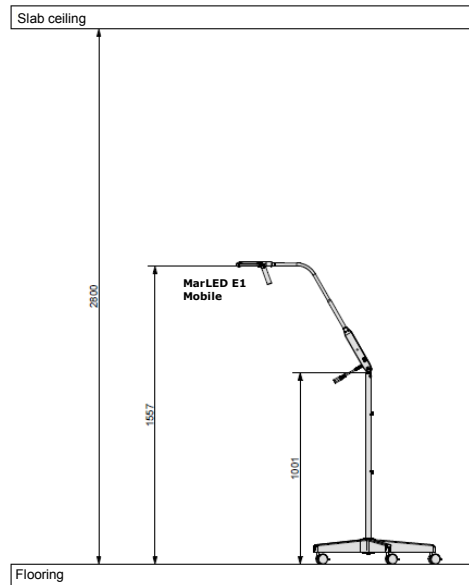
Mechanical Data	Unit	marLED® E1 mobile
Operating forces on light body	N	acc. to standard
Action radius	mm	1000
max. horizontal weight force	N	32.37
Total weight	kg	8.7
Permissible ambient temperature range during operation	°C	+10°C /+35°C
Storage temperature	°C	+70°C /-20°C
Number of casters	pcs	5
Number of lockable casters	pcs	5
Number of lockable casters	mm	50
Light body height (without sterile handle)	mm	26
Light body dimensions	mm	188x82

We reserve the right to make alterations

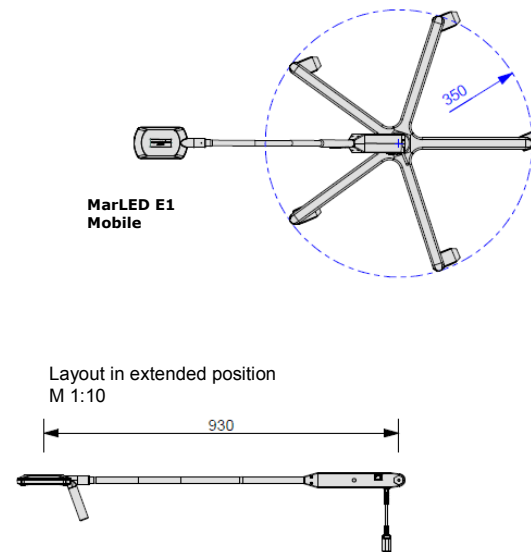
All lighting data are understood to have a tolerance of +/- 5% with regard to measurements and production specifications.

**Technical drawing**

Illustration  
M 1:20 AM



Layout  
M 1:10



Technical performance data:

Electrical supply: 100-240 VAC  
Frequency range: 50/60 Hz  
El. power consumption 13 W / 17 VA  
Electrical protection class: II  
Standards: IEC 60601-1, IEC 60601-2-41  
Lighting strength at 50cm: 50000 lx ; +20%/-10%  
Light field diameter d10: 180  
Color temperature: 4400K  
Color rendering index: Ra a93  
Color rendering index: R9 a90  
Color rendering index: R13 a93

Subject to technical changes

All lighting data are understood to have a tolerance of +/- 5% with regard to measurements and production specifications.