

Operating Light marLED® V10 M Mobile



Mechanical Design

Mobile operating light. Full adjustability is guaranteed by using easy-moving rotary joints and semi cardanic suspension. A sturdy, u-footed mobile stand with lockable castors ensures the light's excellent stability. High-tech metals such as aluminum, minimize the total weight and torque, thus operating comfort will be improved. The light head has got several integrated handle bars for precise positioning. The sensoTouch control panel allows the non-sterile operating of all functions. A sealed housing with smooth surface and special design elements ensures fast and secure disinfection. The design and the constructional principle of the whole light head have been optimized for Laminar Flow ceilings.

We reserve the right to make alterations

Light System

High-performance LEDs of several color types are used to illuminate the operating field. Different individual LEDs are combined in light engines which create both shadow-free illumination and deep-cavity illumination. Computer-calculated optical lens systems allow an even illumination without any color shadows for small or larger surgical sites. LED light includes only visible light without any infrared radiation. The unique VariLux mode grants a variable field distribution, allowing both circular as well as elliptical beams, depending on the demands of the operating field. The color temperature can be adjusted individually. The huge amount of 160 single LEDs each light head assures a high system stability and long service life time.

Operation

All operating functions can be controlled via an easy-to-understand sensoTouch panel, located at the cardanic. Furthermore, the surgeon can adjust relevant parameters, such as the field diameter, by means of the sterilizable sensoGrip handle in the center of the light. Adjustment of the light intensity and the field diameter is done electronically and without mechanical components. The actual setting is visualized on the Touch panel with clear symbols. Integrated grip bars allow a precise positioning of the light from all sides.

Additional equipment options

Touch-sensitive KLS Martin pilot laser system for safe positioning of the light field center.

We reserve the right to make alterations

Electrical Data		marLED® V10 M
Power module incl. Mounting plate: dimensions [LxWxH]	mm	integrated in foot-stand
Power module, primary voltage	V	85 / 240 (AC)
Fuses at 230 V	A	10
nominal wattage of light source	W	approx. 75
effective lifetime of light sources	h	40.000
Power consumption at 230V	W	100
Voltage stabilization (electronically)		yes
Soft-start option (light does not immediately start with full brightness/light output)		yes
Focusing/light-field memory		yes
Light electronics meet VDE and IEC requirements		yes
Classification acc. to MDD / Medical Devices Act		I
Protection class acc. to IEC 601		I
Degree of protection: suspension system		IP 30
Degree of protection: light head		IP 42
Mark of conformity		CE

We reserve the right to make alterations

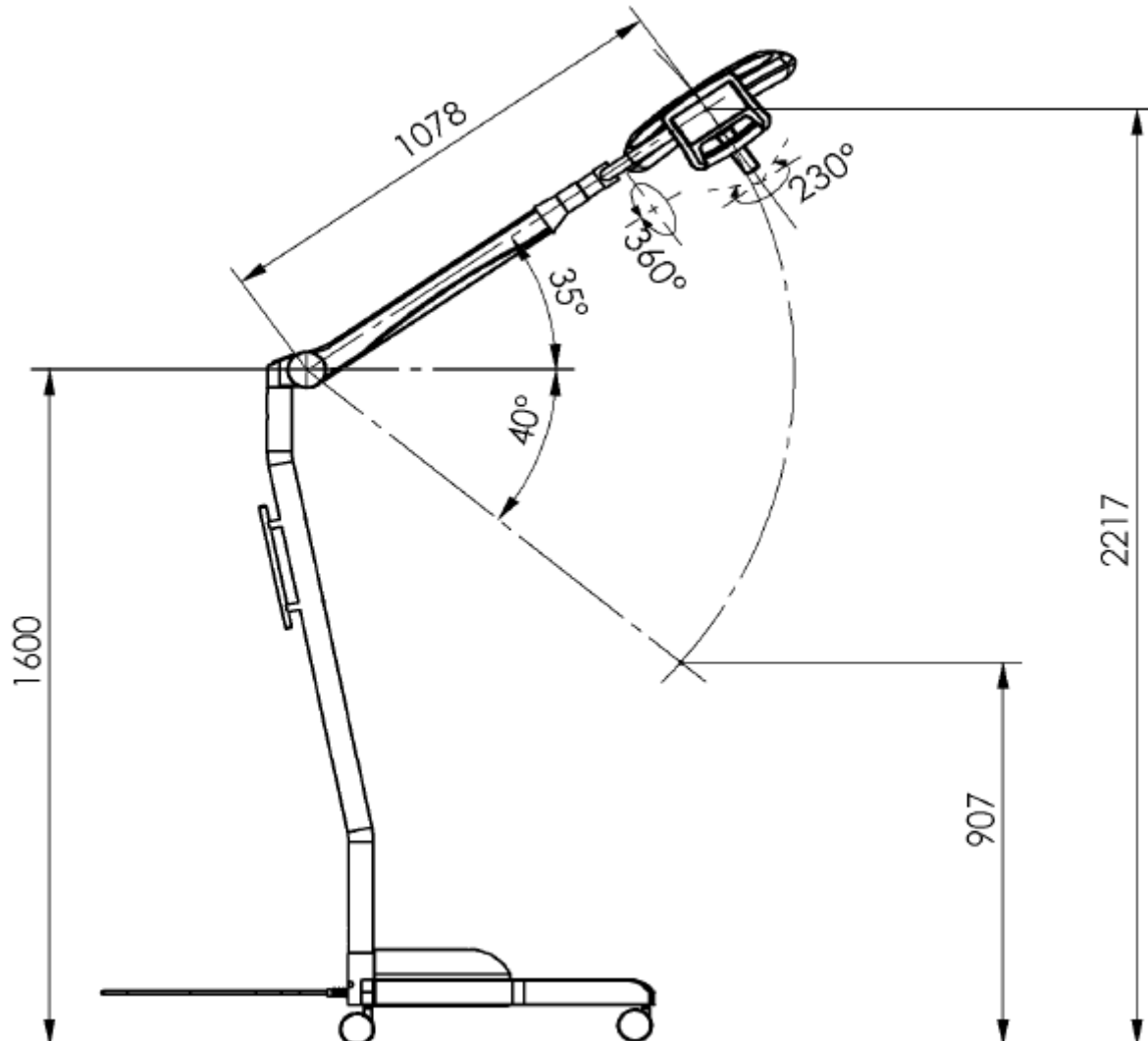
Photometric Data		marLED® V10 M
Central illuminance, electronically dimmable from/to	%	30 – 100 % / 5 % (in Endo-mode)
Central illuminance at a distance of 1 m (via light field adjustment)	lx	130.000
Light field diameter (d10, distance of 1 m)	mm	230 – 330
Light field diameter (d50, distance of 1 m)	mm	120
Color temperature	K	3.800 – 4300 –4800
Color rendering index (CRI) [Ra(1-8)]		95
Red rendering index (RRI) [R9]		> 85
Total irradiance (at 100,000 lx)	W/m ²	364
Total irradiance at 130,000 lux	W/m ²	449
Luminous efficacy	lm/W	289
Illumination depth (20 % on E _C max. without refocusing) L1/L2	mm	490 / 800
Illumination depth (60 % on E _C max. without refocusing) L1/L2	mm	320 / 320
Working range from/to (20 % on E _C max. without refocusing)	mm	510 – 1,800
Working range from/to (60 % on E _C max. without refocusing)	mm	680 – 1,320
Shadow dilution with one mask	%	46
Shadow dilution with two masks	%	44
Shadow dilution with one tube	%	99
Shadow dilution with one tube and one mask	%	45
Shadow dilution with one tube and two masks	%	44
Laminar Flow Index acc. to Leeneman		15,7
Laminar Flow Index acc. to Oostlander		16,7
UV irradiance for wavelengths < 400 nm	W/m ²	< 10

We reserve the right to make alterations

Mechanical Data		marLED® V10 M
Operating forces on light head	N	acc. to standard
Range of movement	mm	1078
Spring arm height adjustment (acc. to ceiling height)	mm	1310
Top position of light head	mm	2217
Bottom position of light head	mm	907
Force required for moving light head up/down	N	14
Force required for swiveling the light head	N	6
Total Weight	kg	50
Permissible ambient temperature range during operation	°C / °F	5 °C to +40 °C / 41 °F to +104 °F
Storage temperature	°C / °F	-10 °C to +50 °C / 14 °F to +122 °F
Shock/impact resistance		8g / 10 ms
Vibrostability (immunity to vibration)		10 – 150 Hz / 0,15 mm / 2g
Number of castors	pcs	4
Number of lockable castors	pcs	2
Castor diameter	mm	75
Air flow contact area of light head	cm ²	2535
Light head height (without sterile handle)	mm	53
Light head dimensions	mm	640 x 454

We reserve the right to make alterations

Technical Drawing:



We reserve the right to make alterations